

FOTILE

USER MANUAL

Please read this instruction manual carefully before using

BUILT-IN INDUCTION HOB

C21FW.A

Honorable user, Thank you for your choice of FOTILE products. Please read through the manual to be familiar with the correct operation norms and enjoy the cooking.

Contents

Warning And Safety Instructions	2
Packing List	4
Product Description	5
Installation Method	5
Trial Run	6
Instructions for Use	6
Precautions for Use	9
Cleaning	9
Instructions for Selection of Cookware	10
Electrical Wiring Diagram	10
Performance and Specification	11
Problem Solving Guide	11
Explosive View	13
Customer Service	13

Warning And Safety Instructions

The following classification is made and symbols are used to avoid hazards and property damage to users and others.

All these precautions are safety-related and should be followed. All users should use the induction hob after understanding all these precautions.

Classification by degree of hazard and damage

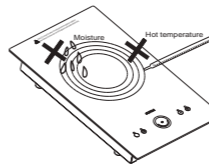
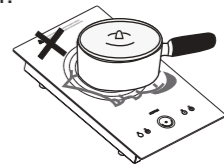
	DANGER	Ignoring this symbol and any improper operation may result in danger, serious injury, or fire.
	WARNING	Ignoring this symbol and any improper operation may result in danger, serious injury, or fire.
	CAUTION	Ignoring this symbol and any improper operation may result in personal injury or property damage.

Symbols of caution and forbidden

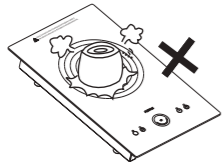
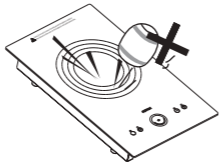
Caution! Hot	Caution! Risk of Electric Shock	Mandatory	Grounding	Forbidden	No Open Flames	Do Not Touch	Do Not Operate	Do Not Disassem

Warning: Any failures and losses caused by failure to follow the precautions in this User Manual are not covered by our free warranty, and we also do not assume any responsibility related. Please keep all documents properly.

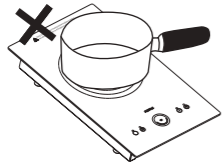
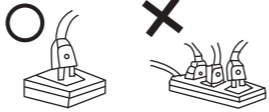
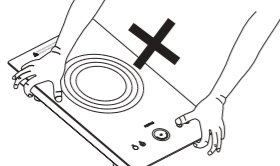
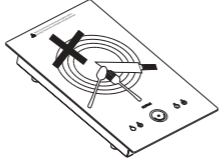
Note: If case of any conflict between this Manual and applicable national laws, the latter shall prevail.

DANGER	
<p> Forbidden</p> <p>Do not use the induction hob in a place where it is wet or near fire when it is used as a countertop.</p> 	<p> Forbidden</p> <p>Do not place paper, cloth, or other unsuitable articles onto the induction hob heating panel for indirect heating to avoid burning caused by high temperature of the bottom of the cooker.</p> 
<p> Forbidden</p> <p>The induction hob has hazardous voltage and pulsed high voltage. It is strictly forbidden to disassemble it by unauthorized maintenance personnel!</p>	<p> Mandatory</p> <p>Please unplug the power plug from the power socket and let the panel cool down before cleaning.</p>

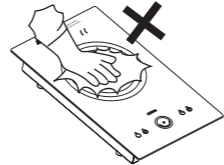
! WARNING

<p>Forbidden Do not heat foods in sealed containers, such as cans, as they may burst due to expansion.</p> 	<p>Mandatory Do not hit the panel. If cracking is found on the panel, cut off the power immediately and call the national service hotline of Fotile.</p> 
<p>Forbidden Do not heat foods in sealed containers, such as cans, as they may burst due to expansion.</p>	

! CAUTION

<p>Mandatory Do not clean the induction hob with a steam cleaner!</p>	<p>Mandatory Always clean the induction hob to prevent cockroaches from getting in the appliance and the fan, which may cause failures.</p>
<p>Forbidden Do not heat empty pots.</p> 	<p>Mandatory Use a dedicated power outlet, with high power rating (16A) and make sure that the power socket contacts well. Do not share it with other electrical appliances.</p> 
<p>Forbidden Do not move the induction hob when cookware is sit on it or it is powered on.</p> 	<p>Forbidden Do not put metal objects such as knives, forks, spoons, and lids on the panel as they may be heated.</p> 

! CAUTION

<p>Mandatory Do not touch the panel after cooking to prevent burns because it is very hot.</p> 	<p>Mandatory The appliance cannot be used by persons (including children) with reduced physical, sensory or mental capabilities, or lack of experience and knowledge, unless they have been given supervision or instruction concerning use of the appliance by a person responsible for their safety.</p>
<p>Mandatory Press the "Power" button to turn off the induction hob after use.</p>	<p>Mandatory Children should be supervised to ensure that they do not play with the appliance.</p>
<p>Mandatory The electromagnetic field generated by the induction hob will interfere with electronic heart pacemakers, so users with heart pacemakers should avoid the induction hob in use.</p>	<p>Mandatory If the power cord is damaged, it should be replaced by qualified personnel of the service center of Fotile or similarly qualified persons in order to avoid a hazard.</p>

Packing List

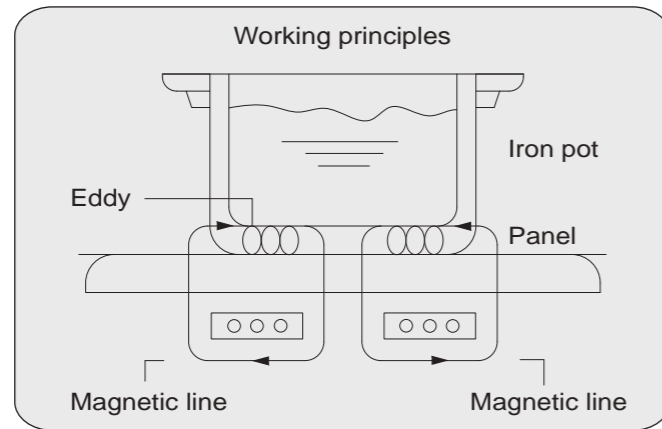
After the package is opened, please check whether each of the following products and accessories suffers from any defect or damage:

- In case the responsibility of such defect or damage lies with the company or the seller, please contact the seller;
- In case the responsibility of such defect or damage rests with the user, please call the national service hotline of Fotile.

Product	1	Quality certificate	1
User Manual (includes product warranty card)	1		

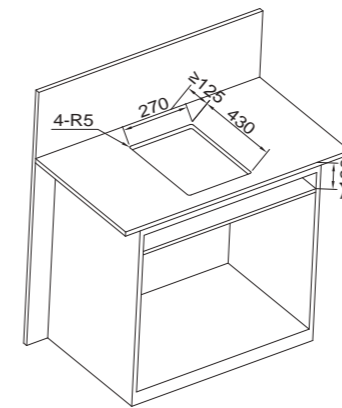
Product Description

The induction hob adopts the magnetic induction method for heating. It produces the magnetic field by allowing the high-frequency current to pass through the coils. When the magnetic lines of force inside the magnetic field reach the bottom of the iron pot, it results in numerous small eddies and the pot itself rapidly emits heat, thereby heating the food inside the pot. Iron pots should be used because pots of other materials are not magnetically permeable or have low magnetic permeability. (See the picture below for working principles)

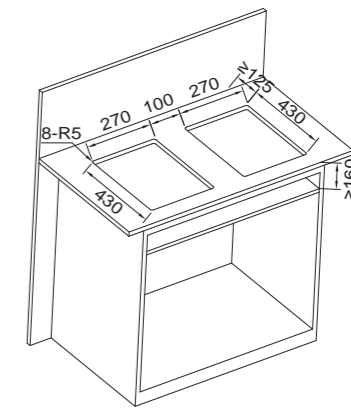


Installation Method

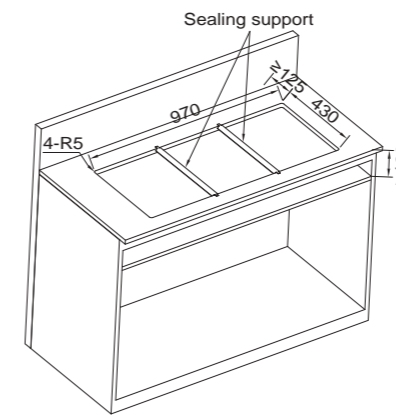
1. Make openings in the countertop according to the size shown below. Pay attention to the difference in the sizes of openings when single and multiple units are installed.
2. The distance between the countertop and the partition should be no less than 160mm if no electrical appliance such as disinfection cabinets is installed below. A vent at least 150cm² (equivalent to 3 circular holes with a diameter of 80mm) should be opened at the back of the cupboard for ventilation and heat dissipation of the induction hob.
3. A vent at least 150cm² (equivalent to 3 circular holes with a diameter of 80mm) should be opened at the back of the cupboard and cuts of 400X120 should be made on the side panels of the cupboard for ventilation and heat dissipation of the induction hob if electrical appliances such as disinfection cabinets are installed below.
4. The induction hob should be equipped with a 10A socket, and the cross-sectional area of the copper core wire introduced into the socket should be no less than 1.5mm².
5. It is recommended that the power cable of the induction hob be separately connected to a small circuit breaker capable of carrying 20A to ensure the induction hob work normally at the maximum power condition.
6. If the power plug cannot be reached after the hob is installed, it should be completed by a switch with fixed wiring that conforms to the wiring regulations, by which the power is cut off in case of maintenance or emergencies.



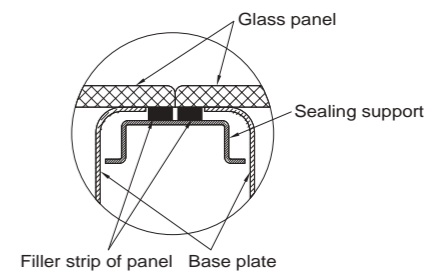
Installation of one unit



Installation of two units



Installation of three units



Sketch map of sealing support installation

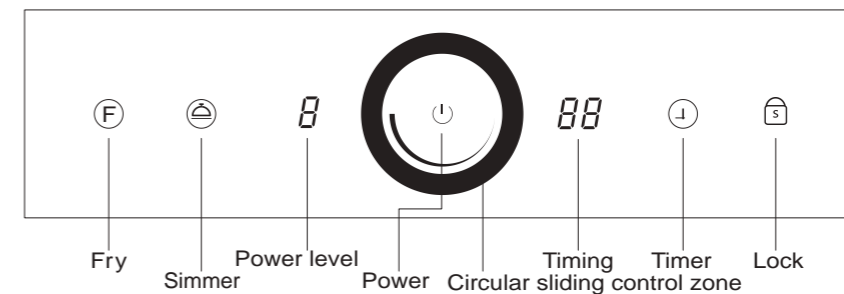
Trial Run

Please perform a test run before installation to ensure your benefit.

- Place a pot applicable to the induction hob with a small amount of water on the heating zone of the panel.
- ★ Plug into the power and the appliance produces a beep. All digital tubes light up for about 1 second, and the induction hob will enter the standby state.
 - ★ Test method: place a pot applicable to the induction hob with a small amount of water on the heating zone, and touch the "Power" button (⏻) to turn on the appliance. The digital tube displays "-", and the appliance enter standby state. Adjust the power level by sliding on the circular sliding control zone in a clockwise direction, and it starts to work, and the water is heated, which means it works.


Instructions for Use



Operation panel




- 1.Operation panel: the complete appliance has an induction hob and buttons of power level, timing and multiple function.
- 2.Power on: plug into the power and the appliance produces a beep. All digital tubes light up for about 1 second, and the induction hob enters the standby state.
- 3.Standby: the induction hob enters the standby state after it powers on for 1 second. The appliance enters the standby state after used and turned off, and the residual heat protection stops.
- 4.Turn on:
 - 4.1 Press the "Power" button under standby state to turn on the appliance.
 - 4.2 After turned on, adjust the power level by sliding on the circular sliding control zone in a clockwise direction, and it displays the corresponding power level and starts to heat up.
 - 4.3 After turned on, press the "Simmer or Fry" button to enable the corresponding function, and start heating, and corresponding power level is displayed.
 - 4.4 The induction hob will be automatically turned off if it is not heated for 1 minute when turned on.
- 5.Power level adjustment:
 - 5.1 Raise (or lower) the power level by sliding on the circular sliding control zone in a clockwise (or counter-clockwise) direction, and it has 1~9 levels.
 - 5.2 The maximum power is 2100W.
 - 5.3 Power of each level:

Level	Simmer	0	1	2	3	4	5	6	7	8	9	Fry
Power	100	No heating	500	600	800	1000	1200	1400	1600	1800	2100	2100
Heating mode	Intermittent heating	Continuous heating	Continuous heating	Continuous heating	Continuous heating	Continuous heating	Continuous heating	Continuous heating	Continuous heating	Continuous heating	Continuous heating	Continuous heating

- 
- 1.The above information may vary depending on pots used, only for reference.
 - 2.Fry lasts for 10 minutes.

- 6.Simmer:
 - 6.1 After the induction hob is turned on or when under work status, press the "Simmer" button , it enters the "Simmer" mode, and "H" will be displayed.
 - 6.2 The "Simmer" function is used after cooking.
 - 6.3 It maintains warmth for 2 hours by default and then it stops maintaining warmth automatically.
 - 6.4 Under the "Simmer" mode, press the "Simmer" button again to exit the mode, and the induction hob stops heating. In the "Simmer" mode, adjust the power level or enable other functions, it will exit the "Simmer" mode and enter other states.
- 7.Fry:
 - 7.1 After the induction hob is turned on or when under work status, press the "Fry" button , it enters the "Fry" mode. "F" will be displayed.
 - 7.2 The "Fry" mode lasts for 10 minutes each time, and then it automatically exits this mode and goes back to the power level of origin. If the origin power level is 0, it goes to 9th level by default.

- 7.3 Under the "Fry" mode, press the "Fry" button again to exit the mode. The induction hob exits the "Fry" mode and goes back to the power level of origin. If the origin power level is 0, it goes to 9th level by default.
- 8.Timer:
 - 8.1 Under the "Simmer" mode, press the "Timer" button, the induction hob enters the setting state, and the timer indicator lights up. Then, you can adjust the time duration by sliding on the circular sliding control zone. The maximum time is 99 minutes.
 - 8.2 Under the "Timer" mode, adjust the time by sliding on the circular sliding control zone in a clockwise (or counter-clockwise) direction. After sliding a certain angle in a clockwise (or counter-clockwise) direction, stop sliding and hold it for a long time to enter the quick adjustment mode.
 - 8.3 If there is no operation within 6 seconds under the timer setting state or the "Timer" button is pressed after setting is finished, it automatically exits the setting state.
 - 8.4 After time out, the induction hob is turned off and continues to beep for 30 seconds. Press any button and stop beeping.
 - 8.5 Press and hold the "Timer" button to quickly exit the manual timing state.
 - 8.6 Adjusting the power level not affect the timing.
- 9.Timing by default: the heating time by default is 2 hours for all power levels (1~9) and then the induction hob is turned off automatically. The timeout will be reset to 2 hours and restarted after the power level is adjusted.
- 10.Turn off: press the "Power" button to directly turn off the induction hob when it is working.
- 11.Lock:
 - 11.1 When the complete appliance is powered on, press and hold the "Lock" button  to lock buttons at the operation zone. All buttons except the "Power" button and the "Lock" button cannot be operated. At the same time, the lights of buttons except the "Power" button and the "Lock" button will go out.
 - 11.2 Under the Lock state, press the "Power" button to turn off the induction hob. The Lock will not be released after the induction hob is turned off. Under the power-on state, press and hold the Lock button for 3 seconds to release the lock.
- 12.Residual heat indication: after cooking and the induction hob is turned off, if the temperature of the panel in the heating zone is higher than 55℃, "H" will be displayed, and if it is lower than 45℃, the residual heat indication disappears.
- 13.After cooking and the induction hob is turned off, the fan will continue to run for 1 minute and then stop.
- 14.Tips for no pot: if there is no pot after the induction hob is turned on, the power level will be "E!" and 1 minute later, the induction hob will turn off automatically. "E!" will disappear after a suitable pot is placed, and the corresponding power level will be displayed.

Precautions for Use

- ★ Please turn off the induction hob before unplugging it.
- ★ Use a dedicated power socket to ensure the power plug connects well with the socket.
- ★ Make sure the cooktop and the bottom of the pot is clean and free of paper, cloth, etc. Make sure the bottom of the pot is close to the cooktop.
- ★ Please reserve radiation space according to the installation instructions, otherwise the performance of the appliance may be damaged.
- ★ keep the vents clear and free of any object. There are many live parts inside the induction hob. Do not use metal rods or needles to touch the air entry and air vent to avoid electric shock or damage to it.
- ★ The induction hob should be placed properly and the vents should not be blocked. In addition, and certain space for air circulation should be left to prevent damage to the power tube due to high temperature of the hob.
- ★ Do not place the induction hob near other high-temperature heat sources or in moist places when using to protect it from high temperature or moisture.
- ★ The voltage of the induction hob should be consistent with the rated voltage. Too high or too low voltage will damage the induction hob. Use a voltage regulator to ensure that the voltage meets the requirements if necessary.

Cleaning

- ★ Please unplug the power plug from the power socket and let the panel cool down before cleaning.
- ★ Please clean it with mild detergent, and avoid using solvents such as strong acids and alkalis; do not wipe it with gasoline, toluene and other organic solvents.
- ★ Do not rinse it with water to avoid major failure or affecting the safety performance of the product.
- ★ If any plastic products, kitchen foil, sugar or sugary foods are melted off on the panel, please clean them with a soft dry cloth immediately before the panel cools down to prevent damage to it; it is forbidden to touch the panel with hands!
- ★ Please handle the induction hob with care and do not shake it violently during cleaning and maintenance.
- ★ Regularly clean and maintain the induction hob to prevent insects or other foreign objects from entering the fan and the induction hob, which will cause failure.

Instructions for Selection of Cookware

Proper

Iron (enamel, stainless steel, cast iron, etc.) cookware with a bottom diameter of 140mm to 260mm.



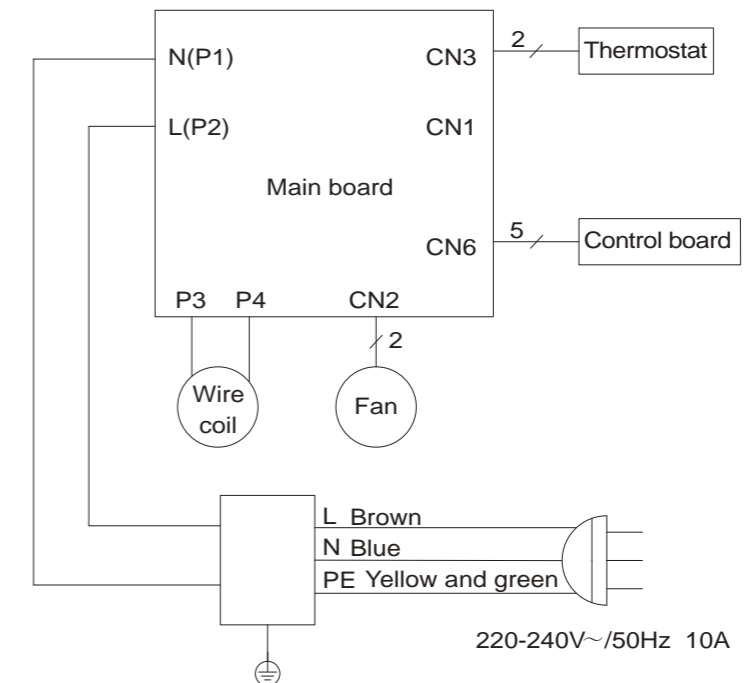
Improper

Cookware with the bottom made of ceramic, heat-resistant glass, copper, aluminum and aluminum alloy or a diameter less than 140mm.



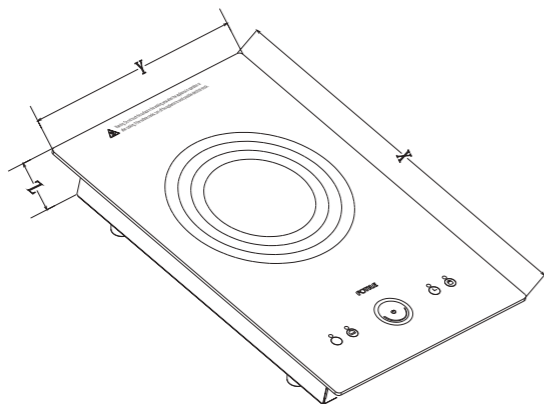
Please use cast iron cookware with a thickness of more than 2.5 mm because it produces low electromagnetic noise and its thermal efficiency is equivalent to that of a standard pot. Cookware with a composite bottom may produce harsh noises during use due to gaps between the inner and outer layers of the bottom.

Electrical Wiring Diagram



Performance and Specification

Model	C21FW.A	Rated power input	2100W
Rated voltage	220-240V~	Rated frequency	50Hz
Length of power cable	1200mm	Weight	4.1kg
Size of the complete appliance: length(X) × width (Y) × height (Z)	300mmX490mmX56mm		
Appearance	Glass ceramics		



Problem Solving Guide

Occurrence of the circumstances similar to the following does not mean failures of the induction hob. Please check it independently before sending it for maintenance.

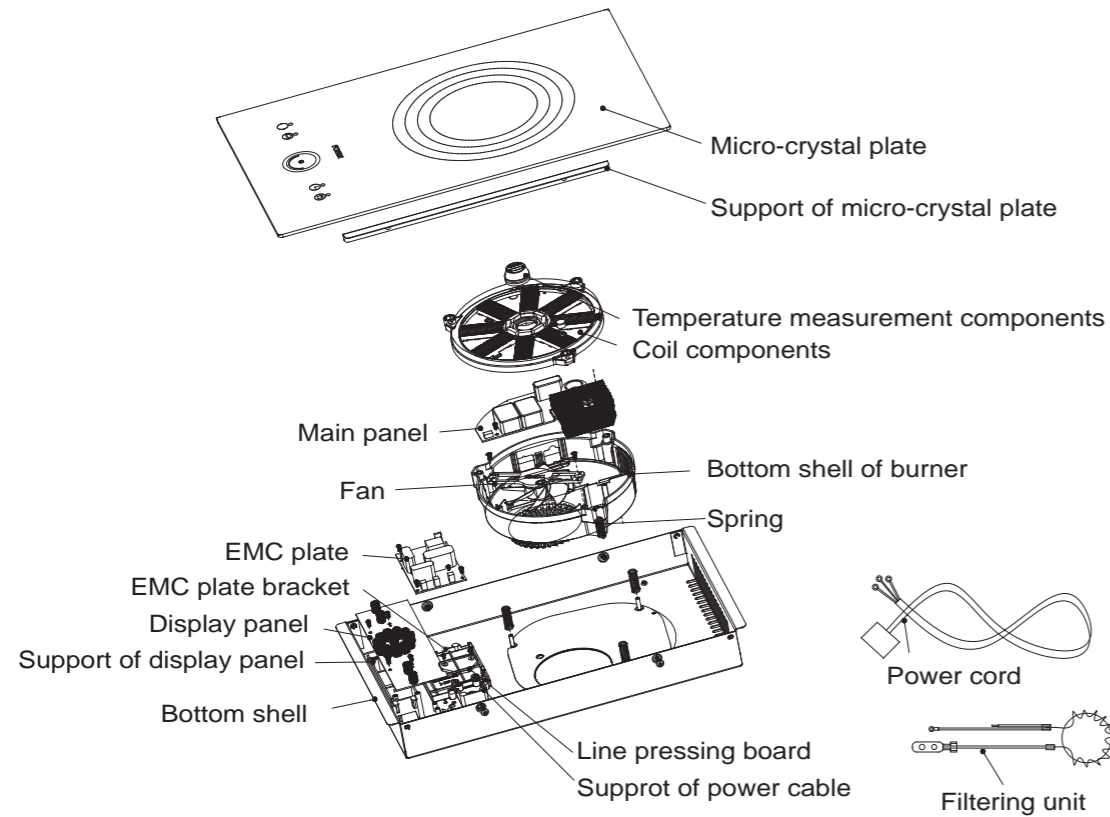
Failure	Checking and trouble shooting
The induction hob does not beep when it is plugged into the power and the "Power" button indicator does not light up	<ol style="list-style-type: none"> ① Whether the power plug is properly connected ② Whether the switch, power socket, fuse or power cable is damaged ③ Whether there is power outage
Continuously emit short beep for 60 seconds as warning before stopping	<ol style="list-style-type: none"> ① Whether the pot is suitable ② Whether the pot is placed in the dead center on the surface ③ Whether the diameter of the pot bottom is larger than 12cm
Heating suddenly stops when in use	<ol style="list-style-type: none"> ① Whether the ambient temperature is too high ② Whether the air inlet/outlet is blocked ③ Under the insulation state, it means it reaches the pre-set temperature ④ The protective device works. Confirm this after it cools down for several minutes

- ⚠ Warning:**
- 1.If the problems cannot be solved through the above checking, please call the national service hotline of Fotile.
 - 2.The appliance has hazardous voltage and pulsed high voltage. It is strictly forbidden to disassemble it by unauthorized maintenance personnel!
 - 3.If the power cord is damaged, it should be replaced by qualified personnel of the service center of Fotile or similarly qualified persons in order to avoid a hazard.

Attached: Code of Failure

Code	Failure	Description
E0	Communication failure	When the display panel cannot receive the communication information of the power panel, E0 is displayed.
E1	No cookware on the cooking plate or the cookware is not suitable for the induction hob	Check the cookware for 1 minute, and alarm, and shut down the induction hob after 1 minute. The process of checking the cookware can be automatically restored.
E2	Low voltage protection	It automatically shuts down after 1 minute of failure, or it will operate as usual after the voltage is normal.
E3	High voltage protection	It automatically shuts down after 1 minute of failure, or it will operate as usual after the voltage is normal.
E4	Disconnection of main sensor	It cannot recover automatically, and it will automatically shut down after 1 minute of failure.
E5	Short circuit of main sensor	It cannot recover automatically, and it will automatically shut down after 1 minute of failure.
E6	Open circuit of IGBT sensor	It cannot recover automatically, and it will automatically shut down after 1 minute of failure.
E7	Short circuit of IGBT sensor	It cannot recover automatically, and it will automatically shut down after 1 minute of failure.
E8	Protection for failure of primary sensor	It cannot recover automatically, and it will automatically shut down after 1 minute of failure.
E9	Over-high temperature of IGBT sensor	It can recover automatically. During the failure, it recovers after the over-temperature disappears.

Explosive View



Customer Service

In case of any abnormality during the use of the induction hob, please stop using it and unplug the power cable. Please call local service hotline of Fotile.

Special note: for safety and proper operation, the installation and maintenance of the product should be performed by qualified personnel assigned by the Company. If the product stops work due to installation or maintenance by customer or others entrusted by customer and not assigned by Fotile, the free maintenance and repair service will be inaccessible, even it is within the warranty period.

- ⚠ Warning:** (1) Only those who are professionally trained and qualified in induction hob maintenance can maintain the products. Other personnel should not maintain the induction hob without permission to avoid serious consequences.
- (2) Thermally conductive silicone grease should be applied to the fuse after the induction hob is disassembled to ensure its effectiveness.

Free warranty precautions:

- In order to provide better service to consumers, the Company provide 5-year warranty service for the complete appliance, unless otherwise specified in this Manual or agreed in the purchase and sales contract.
- Within the free warranty period, users should show the Three Guarantees certificate of the product (the product warranty card provided by the Company randomly) when repair is required. The Three Guarantees period starts upon the receipt of the product. Users shall properly keep the Three Guarantees certificate and the purchase invoice. If Three Guarantees certificate is lost, the warranty period shall be calculated by postponing the production date for 3 months according to the product code.
- The following items are not covered by the free warranty and repair will be charged on condition that it is repairable and "Product Number" can be clearly identified on the packing box or the label of the complete appliance:
 - ◆ Damage caused by consumers due to improper handling, installation, use, maintenance and storage;
 - ◆ Damage caused by demolition by those who do not undertake Three Guarantees maintenance;
 - ◆ Three Guarantees certificate and valid invoice are not available;
 - ◆ The model on the Three Guarantees certificate is different from that of the product for maintenance or the model is altered;
 - ◆ Damage caused by force majeure;
 - ◆ All damages and losses caused by factors beyond the control of the Company such as the product use environment (power supply, temperature, humidity, etc.), are not within the scope of free warranty. The Company does not assume any responsibility.
- Please contact the seller if the "Product Number" on the packaging boxes or the label of the complete appliance cannot be clearly identified. The seller will provide the Three Guarantees and other services according to relevant national regulations. The Company does not provide installation and commissioning, changing or refunding, and maintenance services.
- This product is only for sale and use in Chinese mainland.



1

Warranty Card

No :

Customer Detail	
Name: _____	Owner's Signature: _____
Address: _____	
Tel: _____	Mobile: _____ Email: _____
Products Details(Please ✓ Where Applicable)	
Hood <input type="checkbox"/>	Model _____ Oven <input type="checkbox"/> Model _____
Hob <input type="checkbox"/>	Model _____ Sterilizer <input type="checkbox"/> Model _____
Microwave oven <input type="checkbox"/>	Model _____
Purchase Detail	
Authorized dealer's stamp	Guarantee Commence from:
<input type="text"/>	Date of Purchase
	Date Month Year
	<input type="text"/> / <input type="text"/> / <input type="text"/>
Dealer's Invoice No.: _____	FOTILE Invoice No.: _____

Important: The warranty is valid only if the warranty card is completed and send back to FOTILE dealer 14 days from date of purchase.
(This portion to be mailed)

Warranty Terms & Conditions

Terms & Condition of Warranty

1. This warranty is valid only if the warranty card is completed and returned to FOTILE dealer within 14 days from date of purchase.
2. This warranty is effective for products purchased from authorized dealers of FOTILE.
3. The warranty card is non-transferable.
4. The customer will operate the equipment in the environment conforming to specification, following all operating and routine maintenance procedures specified in the documentation or user manual provided.
5. The warranty is against defective parts and manufacturing fault only. FOTILE shall at sole discretion either repair the product or replace it with the equivalent product. FOTILE may use new and/ or reconditioned parts made by various manufacturers in performing warranty. In the case of repair or replacement, FOTILE shall own all the parts removed from the product.
6. The customer shall not allow the product to be repaired by any party other than FOTILE's appointed technician. Our technician has the right to impose service charge(s) to decline (deny or reject) repair of the product in the event the customer fails to present the warranty card when servicing is required.
7. Warranty period: one year for hood and three-year for its motor, one year for hob, oven, sterilizer and Microwave oven.

Warranty Exclusions

1. Damage resulting from normal wear and tear items (such as light bulb, filter, flexible hose, rubber gasket etc.) .
2. Damage on external finishing (discoloring after prolong usage), accessories, external, removable and/or breakable items (i.e. glass door, tray, burner grid, rotisserie kit, batteries, knobs, oil cup, end cap, evaporator pan, strainer, enameled/ chromes/ stainless steel surface/finishing) .
3. Damage resulting from the act of neglect or misuse or default or unauthorized service, transportation, improper installation, disassembly, alteration and modification by any unauthorized party.
4. Damage caused directly or indirectly by acts of Government, strikes, lockout, fire explosion, attack of household pests, act of God, lightning, flood, pollution or any cause beyond the control of FOTILE dealer.
5. Abnormal voltage or the use of a generator and/or used not in accordance to the instruction manuals.

Warranty Card

No :

Customer Detail	
Name: _____	Owner's Signature: _____
Address: _____	
Tel: _____	Mobile: _____ Email: _____
Products Details(Please ✓ Where Applicable)	
Hood <input type="checkbox"/>	Model _____ Oven <input type="checkbox"/> Model _____
Hob <input type="checkbox"/>	Model _____ Sterilizer <input type="checkbox"/> Model _____
Microwave oven <input type="checkbox"/>	Model _____
Purchase Detail	
Authorized dealer's stamp	Guarantee Commence from:
<input type="text"/>	Date of Purchase
	Date Month Year
	<input type="text"/> / <input type="text"/> / <input type="text"/>
Dealer's Invoice No.: _____	FOTILE Invoice No.: _____

2

(This portion to be retained by Owner)

此页不印刷

材质80克书纸 钉装

尺寸：185*260mm

单黑印刷

最后一页（16页）保修卡有
半页是需要撕下来的，请按照
虚线做出折断线